

Imagine, a sound system that fills every room with crystal clear music & offers unequalled performance, flexibility & simplicity.

Crafted with love, built to last...

asano



every room,
your music

Asano is a networked multiroom audio system that allows you to freely locate your sources and amplifiers anywhere in the house. It's ideal for homes of all sizes, as well as restaurants, sports bars and hotels.

Asano transports uncompressed crystal clear audio from any source to any room over a dedicated Ethernet network. By doing so, the system offers an unseen flexibility and expandability.

With Asano, a virtually unlimited number of sources can be distributed to up to 60 rooms and even more.

Bang & Olufsen® ICEpower Class D amplifiers power the Asano system with unequalled performance and efficiency. Now, you can enjoy your music the way it was intended to be.

With the internal advanced DSP, you can fine-tune your sound in every room just the way you want it, creating the ultimate listening experience.

Asano perfectly integrates in KNX systems, without any interface, creating a new level of simplicity, flexibility and ease of installation.



HIGH FIDELITY,
NETWORKED
AUDIO
CONTROLLED
WITH KNX,
FINALLY IN
ONE SYSTEM!

ASANO,
A TRULY DIGITALLY
TRANSPARENT WAY
TO DISTRIBUTE
YOUR MUSIC FROM
ANYWHERE TO
EVERYWHERE.

Asano uses CobraNet to transport in real-time uncompressed 24 bit - 48kHz digital audio over a dedicated Ethernet network by use of a standard Ethernet switch.

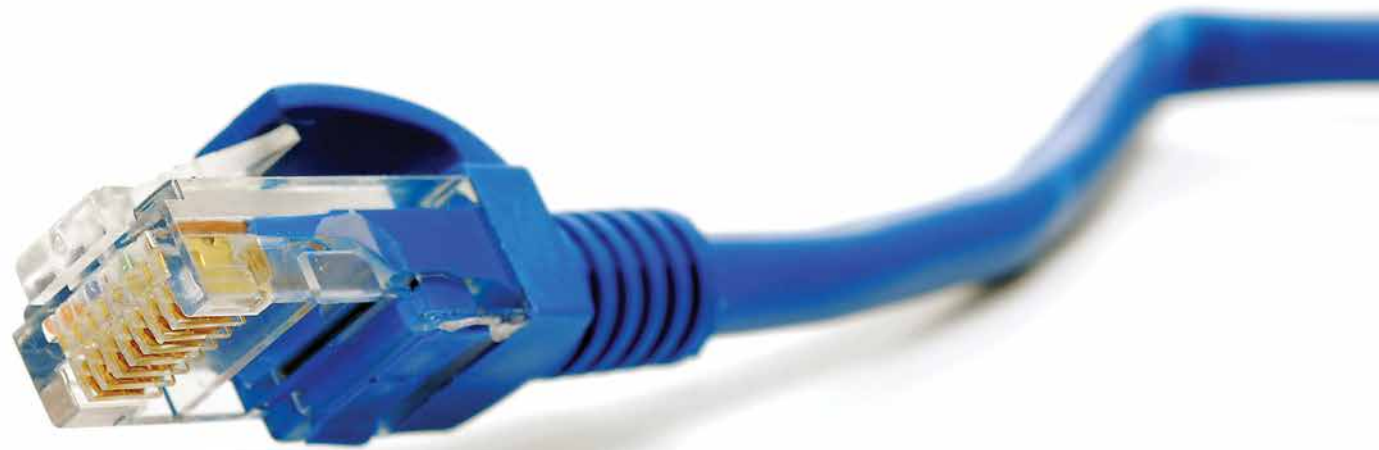
CobraNet is considered to be the biggest standard in professional audio systems and has been deployed in stadiums, convention centres, concert halls and even live touring shows. It is a robust, reliable and high-quality technology.

With CobraNet, any audio input can be dynamically routed to any amplifier, providing unparalleled flexibility and creating a decentralised music system.

A decentralised music system does not have a central master unit to which all the speakers and sources need to be connected. Instead, sources and amplifiers can be freely located anywhere in the house. As a result, the cable runs to speakers and sources are dramatically reduced.

With Ethernet transport, inexpensive CAT5e cabling can be used over long cable runs without any signal degradation or interference.

With CobraNet, all rooms playing the same music are perfectly synchronized.



ASANO,
A PERFECTLY
INTEGRATED
SOLUTION
FOR KNX
SYSTEMS.



Asano has been designed from the ground up to be integrated in KNX systems. There is no control on the front panel neither is there a specific control keypad, the system is completely and only controlled by KNX in a way that is unprecedented.

This makes it possible to control the Asano system with any KNX control device like our Sentido keypad or the Deseo room controller.

With the integrated scene functionality, music zones can be set to specific sources at a specific volume by use of a scene command.

The override function allows immediate switching to a priority source like an alarm or an intercom message. After an override, the music zone gently returns to its previous state.

Automatic input signal sensing allows triggering KNX commands when a source starts playing. For example, when an input is connected to a network audio player like the Apple® Airport Express, the amplifier starts playing when music is sent to the device. But also other commands, like a specific scene, can be started.

The integrated party mode allows for all selected rooms to play in perfect sync like one big system.

The integrated 5-band equalizer can be easily controlled with KNX commands allowing you to fine-tune the system in every room.

Every Asano device neatly integrates with ETS, the KNX programming tool. This allows for a uniform and easy setup and configuration of the system.





ASANO

P1

zone amplifier

Asano P1 is a single zone networked stereo amplifier with 2 inputs for analogue sources.

A source connected to one of the inputs, immediately becomes a source for all the other zones of the Asano system.

All inputs have signal sensing to automatically switch on a zone or to trigger KNX events.

To deliver superior audio performance, Asano P1 is powered with 2x125W Bang & Olufsen® ICEpower amplification.

Furthermore, Asano P1 offers the possibility to connect an active subwoofer.

Advanced DSP processing provides 5-band equalization with bass and treble control and the selection of up to 8 different EQ-presets.

Asano P1 can also be configured to be used as 2 completely independent mono zones for smaller areas as a dressing room or a bathroom.

P1 is completely configured and controlled with KNX. There is no need for any network configuration. Simply connect the amplifier to KNX and a standard Ethernet switch.







ASANO

P4

4 zone amplifier

Asano P4 is a networked 4-zone stereo amplifier with 4 inputs for analogue sources.

A source connected to one of the inputs, immediately becomes a source for all the other zones of the Asano system.

All inputs have signal sensing to automatically switch on a zone or to trigger KNX events.

To deliver superior audio performance, all zone outputs are powered with 2x125W Bang & Olufsen® ICEpower amplification.

Just in case that is not enough, two zones can be bridged to produce an astonishing 2x450W audiophile amplification.

Advanced DSP processing provides 5-band equalization with bass and treble control and the selection of up to 8 different EQ-presets for every zone or room.

P4 is completely configured and controlled with KNX. There is no need for any network configuration. Simply connect the amplifier to KNX and a standard Ethernet switch.





basalte

ASANO

A3

*3 zone
output module*

Asano A3 is a networked 3-zone stereo output module that allows you to connect up to 3 zones (1 digital S/PDIF and 2 analogue) of third party amplifiers or active speakers with the Asano system.

The two analogue zones are connected with RJ45, which can be converted to RCA connectors using the optional A3 Audio Splitter.

Every zone output has a separate trigger output to switch on and off the external amplifier or active speaker.

With A3, you can also connect two local sources (1 digital S/PDIF and 1 analogue).

A source connected to one of the inputs, immediately becomes a source for all the other zones of the Asano system.

Both inputs have signal sensing to automatically switch on a zone or to trigger KNX events.

Advanced DSP processing provides 5-band equalization with bass and treble control and the selection of up to 8 different EQ-presets for every zone or room.

A3 is completely configured and controlled with KNX. There is no need for any network configuration. Simply connect the module to KNX and a standard Ethernet switch.

A3 Audio Splitter







ASANO

N1

input module

Asano N1 is a network node to connect any source to the Asano system.

One single source can be connected to the analogue or digital (optical or coaxial) input.

With USB, you can connect Asano N1 to a PC. By doing so, the PC becomes a source for the audio system and has a full digital path all the way up to the amplifier.

Two rotary dials configure the source number, easy and simple.

Power for the module can be supplied with a separate power supply or by Power over Ethernet (PoE).





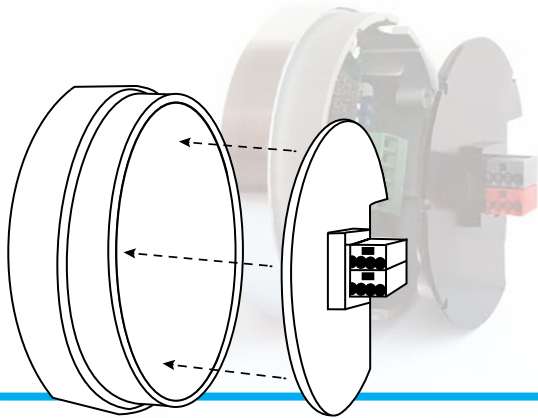
BO.sensor

BO.sensor integrates Bang & Olufsen® infrared remote controls with KNX systems and allows controlling KNX lights, screens and scenes with the Beo 4, Beo 6 and BeoRemote one.

BO.sensor supports all AV controls like TV, RADIO and DVD, allowing you to control the complete Asano system.

In combination with B.link, powerful macros can be started by a single button press.

The BO.sensor module sits behind the original Bang & Olufsen® infrared sensor, powering it directly from the KNX bus without any additional power supply (Bang & Olufsen® infrared sensor not included).



MMS.link



MMS.link is a DIN rail module that integrates the third party Mirage Media Server (MMS) with the Asano system.

The MM server is a cloud based music server with 1TB internal storage that provides up to 5 streams of audio. It synchronises automatically with your iTunes library, provides internet radio streams and is compatible with Apple® AirPlay.

The MM server has 4 analogue outputs and 1 digital output and can be perfectly paired with the Asano P4 amplifier using the 4 analogue inputs, leaving 1 digital output for the home entertainment system.

MMS.link allows you to have 2-way control of the MM server with KNX, creating a fully integrated music system. It becomes also possible to control the complete Asano system with the MMS iPad app.

MMS.link has two LAN ports with integrated switch for daisy chaining.



Mirage Media Server

B.link



B.link is a DIN rail module that integrates B.link flex IP-modules with KNX.

With B.link it becomes possible to control any IR or Serial RS232 device with KNX. CD players, tuners or digital set top boxes, all become part of the Asano system.

B.link can be combined with up to 16 B.link flex modules that communicate over IP and can be placed anywhere in the house. To each B.link flex, you are able connect up to 3 IR transmitters using a splitter or a single Serial RS232 cable.

Power for the B.link flex is provided over Ethernet. As a bonus, up to 3 surround receivers can be integrated directly over IP. With the B.link, source selection and volume control with full feedback can be controlled with KNX commands. B.link supports receivers from Pioneer, Marantz, Integra, Onkyo and Denon.

B.link comes with a configuration tool that allows you to program macros that include sending out KNX commands in combination with IR and serial commands so that you can create powerful welcome and goodbye scenarios.

B.link has two LAN ports with integrated switch for daisy chaining.

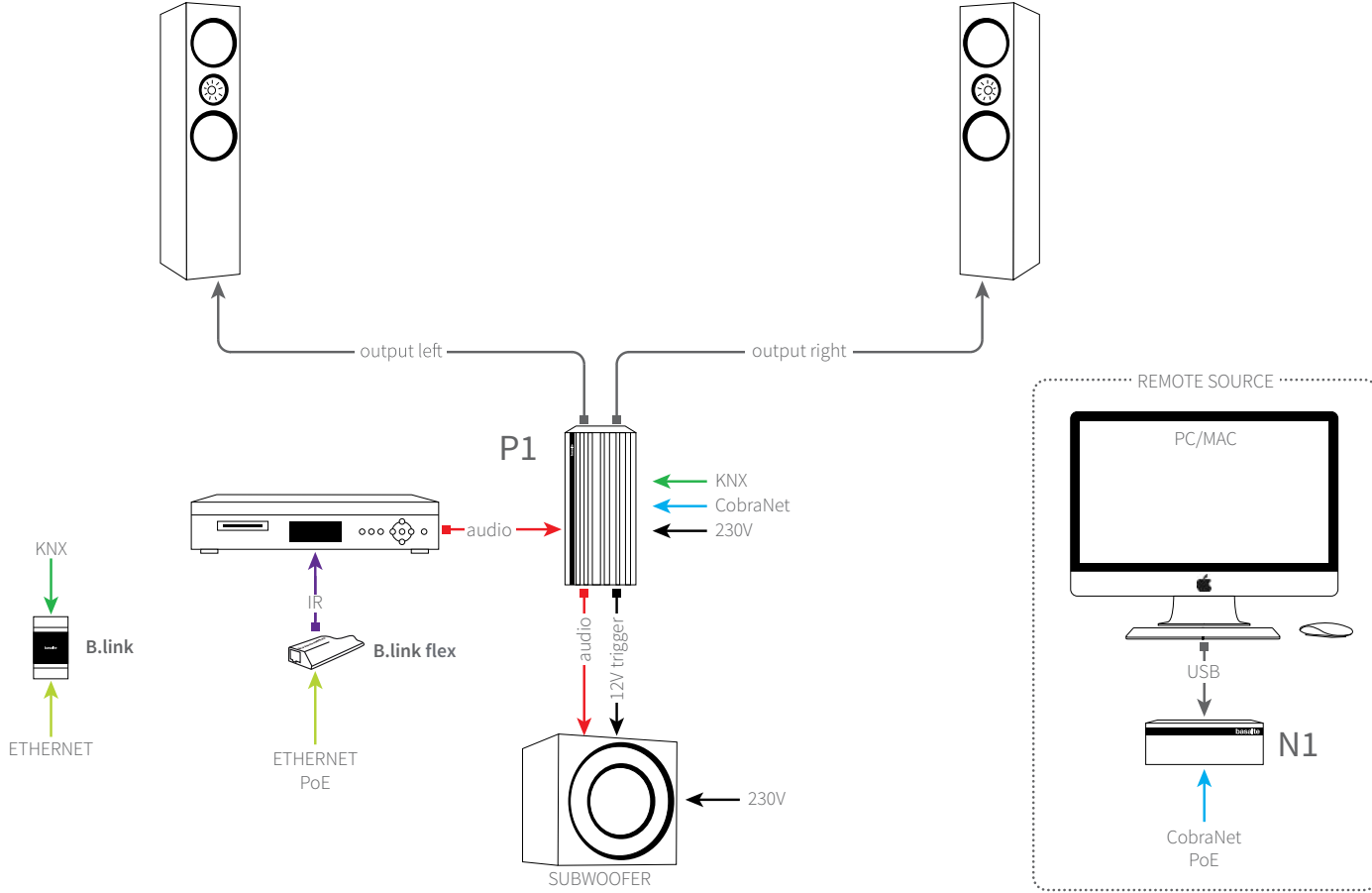


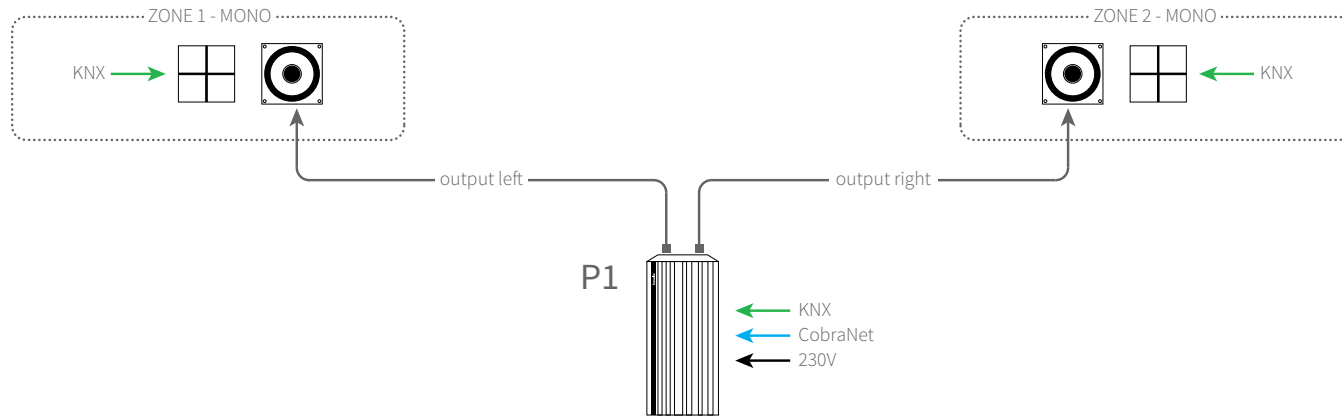
B.link flex



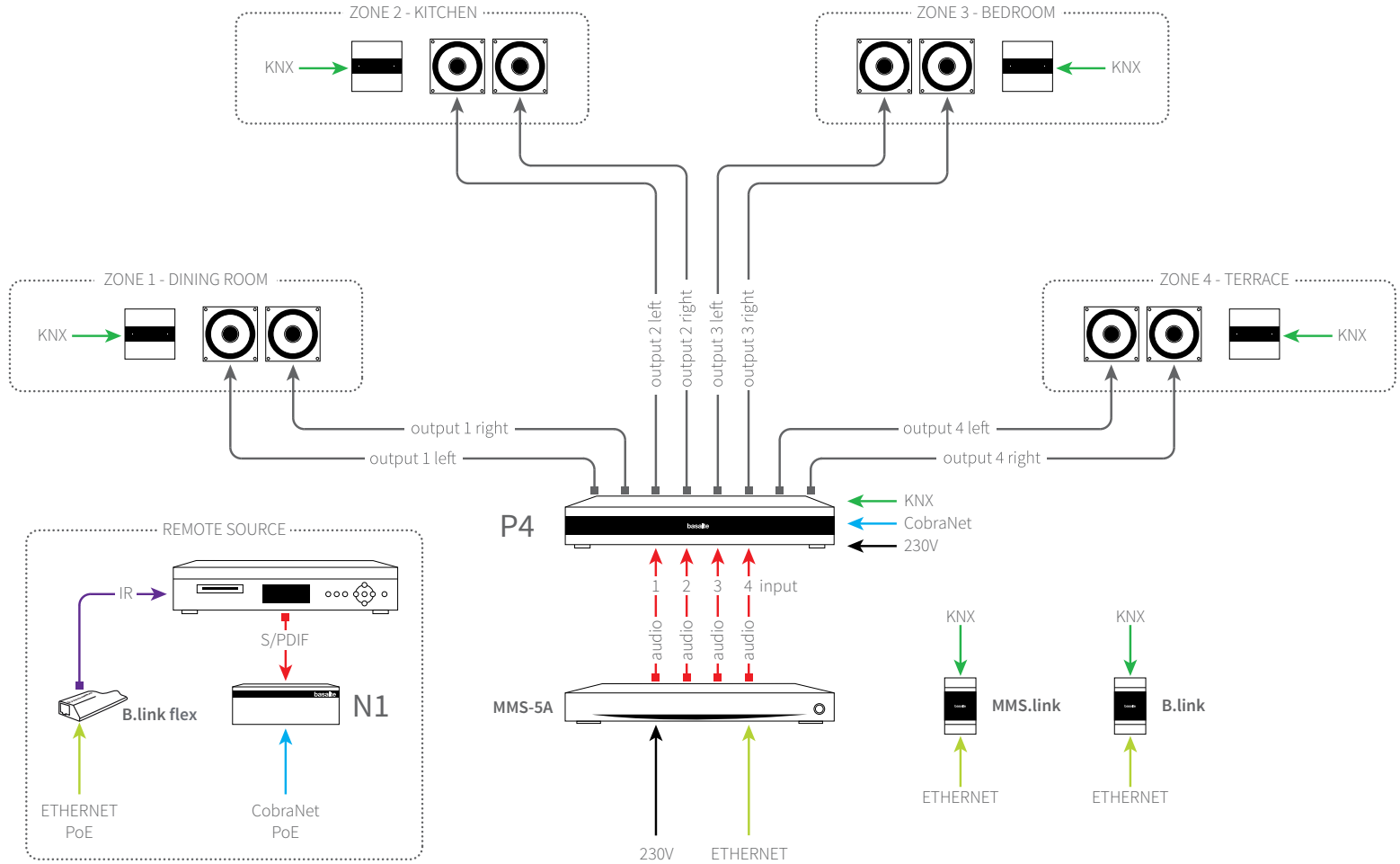
Pioneer SC-LX57

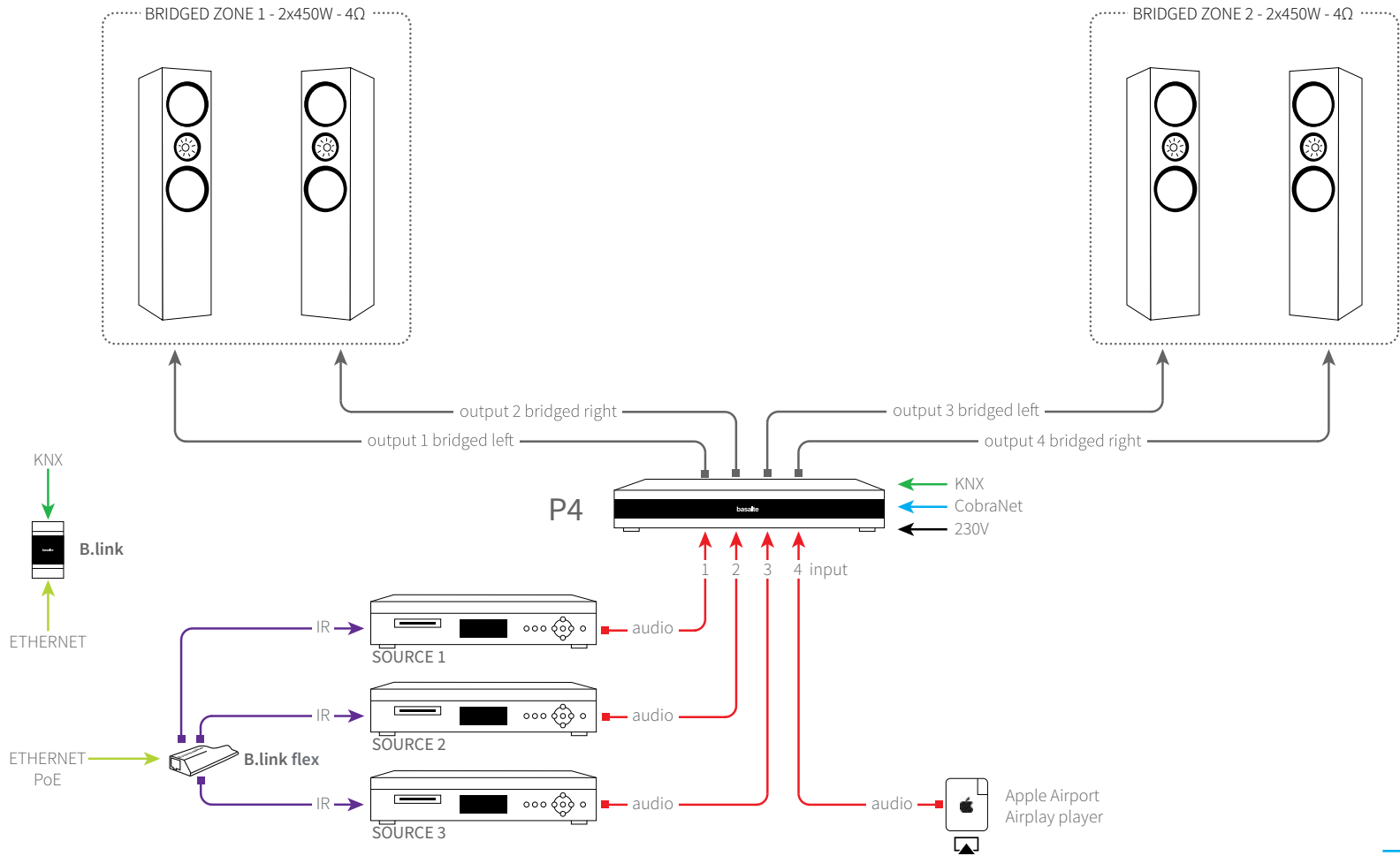
P1 in a stereo zone configuration with subwoofer





P4 in a 4-zone stereo configuration

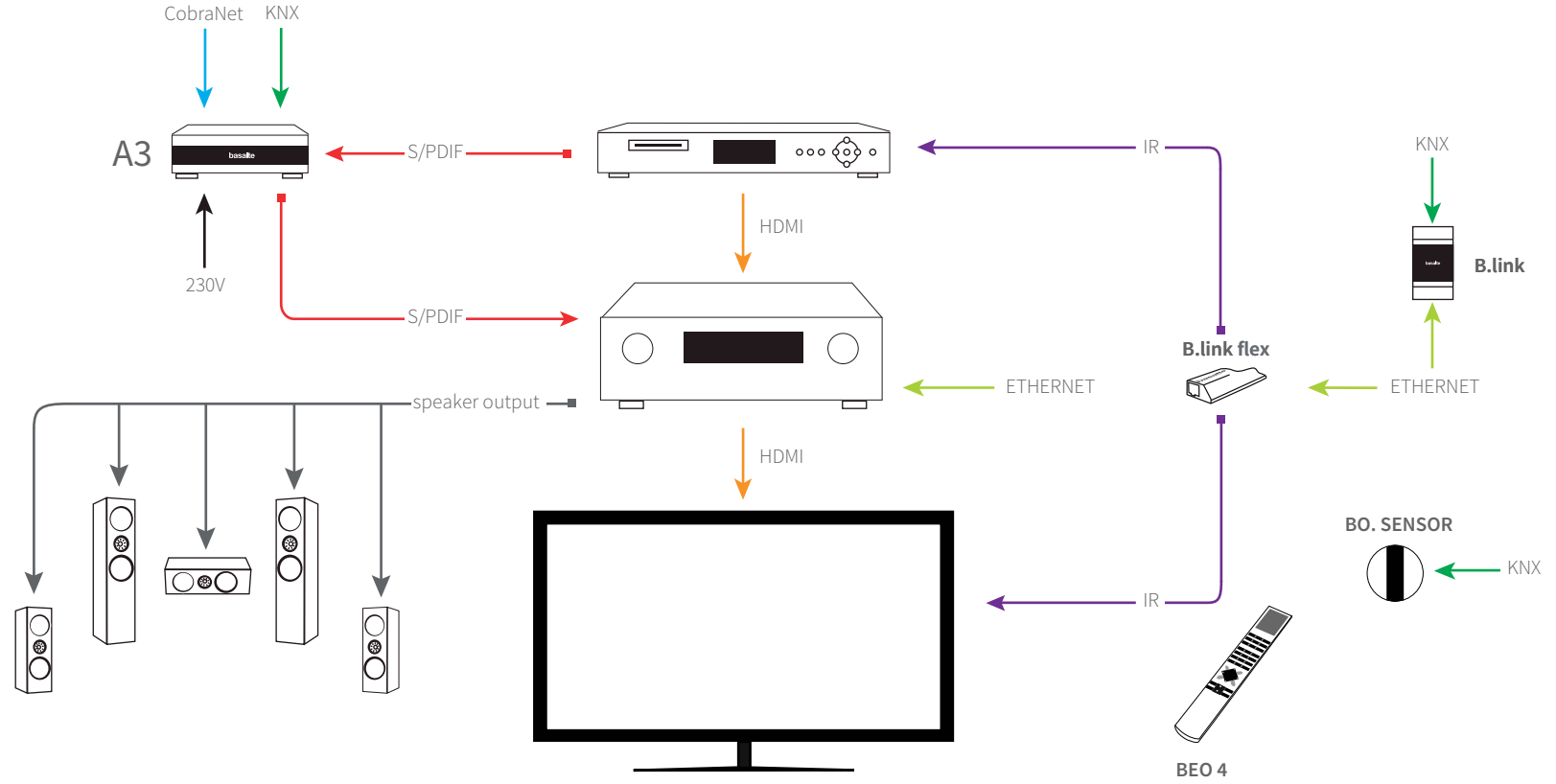


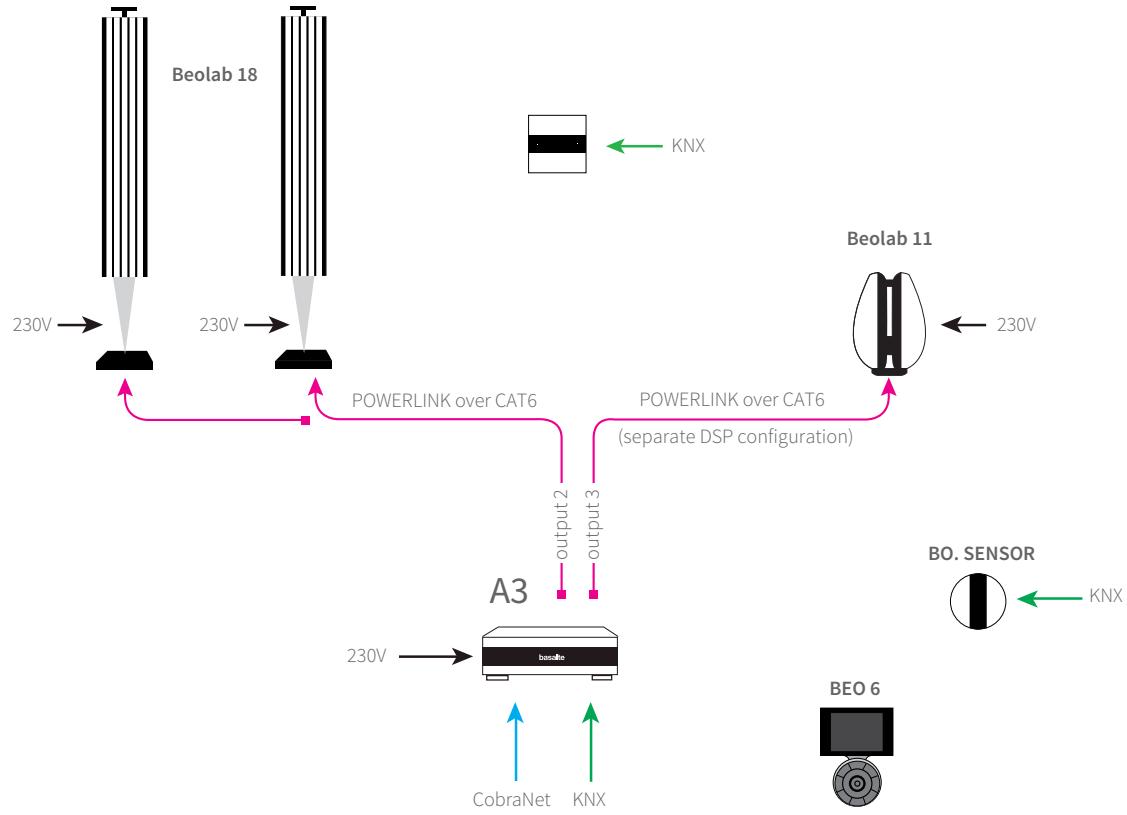


P4 in a 2 zone bridged configuration

A3

in a single zone
surround configuration





technical specifications

| | P1 | P4 | A3 | N1 |
|--|----------------|----------------|-----------------------|----------------|
| Total number of sources | 2 | 4 | 2 | 1 |
| Analog input | 2 | 4 | 1 | 1 |
| S/PDIF coaxial input - 2 ch PCM | - | - | 1 | 1 |
| S/PDIF Toslink optical input - 2 ch PCM | - | - | - | 1 |
| USB digital audio 2ch input | - | - | - | 1 |
| Resolution / sample frequency | 24 bit 48 kHz | 24 bit 48 kHz | 24 bit 48 kHz | 24 bit 48 kHz |
| Input signal sensing | yes | yes | yes | no |
| Total number of zones (stereo) | 1 | 4 | 1 (S/PDIF)/2 (Analog) | - |
| Total number of zones (mono) | 2 | 4 | - | - |
| Total number of zones (bridged) | 1 (mono) | 2 (stereo) | - | - |
| Subwoofer analog output | 1 | - | 2 | - |
| Subwoofer trigger output | 1 | - | 2 | - |
| Party mode | yes | yes | yes | - |
| Override function | yes | yes | yes | - |
| Scene control | yes | yes | yes | - |
| Speaker output power at 4 Ohm - 1% THD+N | 2 x 125W | 8 x 125W | - | - |
| Bridged output power at 4 Ohm - 1% THD+N | 1 x 450W | 4 x 450W | - | - |
| Minimum load | 3 Ohm | 3 Ohm | - | - |
| Frequency response 20Hz - 20kHz | +/- 0,5dB | +/- 0,5dB | - | - |
| THD+N 1kHz, 1W | 0,003% | 0,003% | - | - |
| KNX | yes | yes | yes | no |
| Power | 220V - 240V AC | 220V - 240V AC | 220V - 240V AC | 12V DC - PoE |
| Dimensions (w x h x d) mm | 300 x 55 x 140 | 430 x 66 x 265 | 215 x 40 x 160 | 188 x 30 x 105 |
| Weight | 2,3kg | 6,2kg | 1,0kg | 0,6kg |
| Certification | CE | CE | CE | CE |



basalte

*“Without deviation from the norm,
progress is not possible.”*

Frank Zappa

every room,
your music



basalte

basalte bvba
hundelgemsesteenweg 1a
9820 merelbeke
belgium

t +32(0)9 385 78 38
f +32(0)9 329 66 95

www.basalte.be
info@basalte.be

© basalte 2015

Basalte is a registered trademark of basalte bvba.

Asano is a registered trademark of basalte bvba.

Bang & Olufsen® products are registered or unregistered trademarks of the Bang & Olufsen® Group.

Photography: Steytpaña productions.

